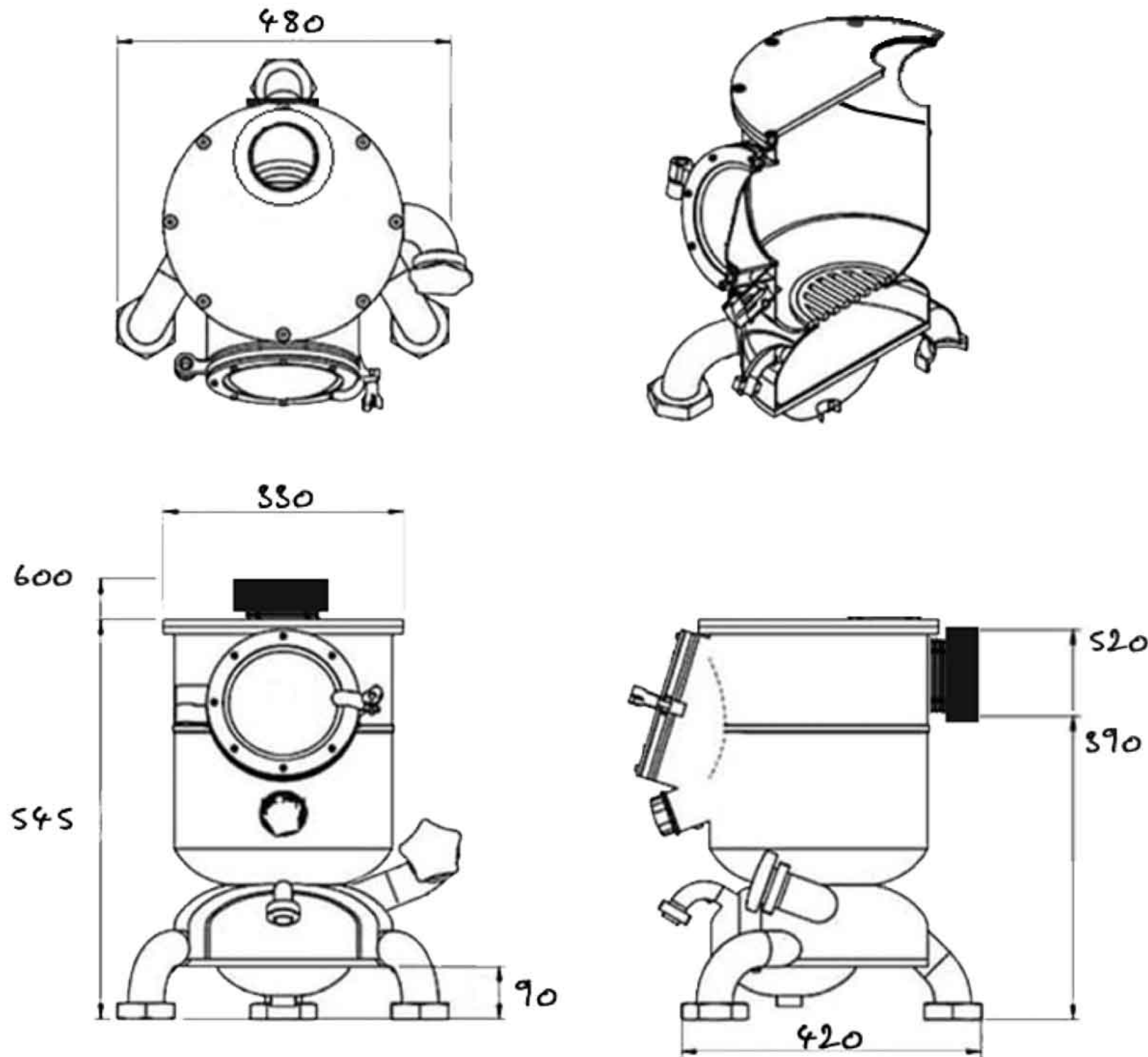




EXOTHERMIC OXIDIZING REACTOR

The Hotpod Unlimited dimensions and specifications



CONSUMER SUMMARY

EXOTHERMIC OXIDIZING REACTOR - UNLIMITED

Intermittent burning solid fuel room heater for installation in single chimneys
Flue spigot 125mm ID
Minimum distance to combustibles: 500mm
Recommended minimum clearance to non-combustibles: 100mm

Output: (wood) 6.1kW. 6.1kW to room, 0kW to water
(1.2kg wood per 45 minutes/1.9 kg per hour)
CO: 0.24% @13% O₂. **Efficiency 81.3%**

Output: (anthracite) 6.8kW. 6.8 kW to room, 0kW to water
(0.9 kg anthracite per hour)
CO: 0.10% @13% O₂. **Efficiency 75.7%**

Hearth temperature does not exceed 100 °C
Flue gas temperature directly downstream of the flue spigot: 350 °C
Required flue draught for correct operation: 12Pa
Weight of Hotpod: 56.3 kg

Conforms to EN13240

The Hotpod is designed for operation with the door closed. Heat is mainly diffused by infrared radiation from the main body and the window and by air convection from the stove body and any exposed flue pipe. Combustion occurs on the grate, with draught (oxygen) entry through the primary and secondary air vents.

All local regulations, including those referring to national and European standards need to be complied with when installing the appliance.

**THE HOTPOD SHOULD NOT BE MODIFIED IN ANY WAY
USE ONLY GENUINE HOTPOD REPLACEMENT PARTS**